



DESCRIPTION

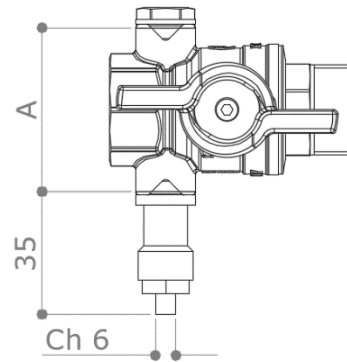
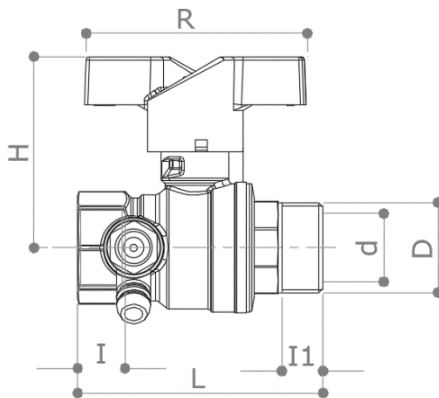
52CS/1V

Nickel plated extra compact M x F full-flow ball valve, with 1/4" drain which can be installed on both the valve sides. Unused exit is plugged by the supplied cap.

Green butterfly handle.

Conform to **EN 13828**

DIMENSIONS



D	1/2"	3/4"	1"
d	15	20	25
H	46	55.5	56
I	12	13	14
I1	17	18	21.5
L	68	79	91
R	58	65	65
A	43	49	56
Weight [g]	250	390	565

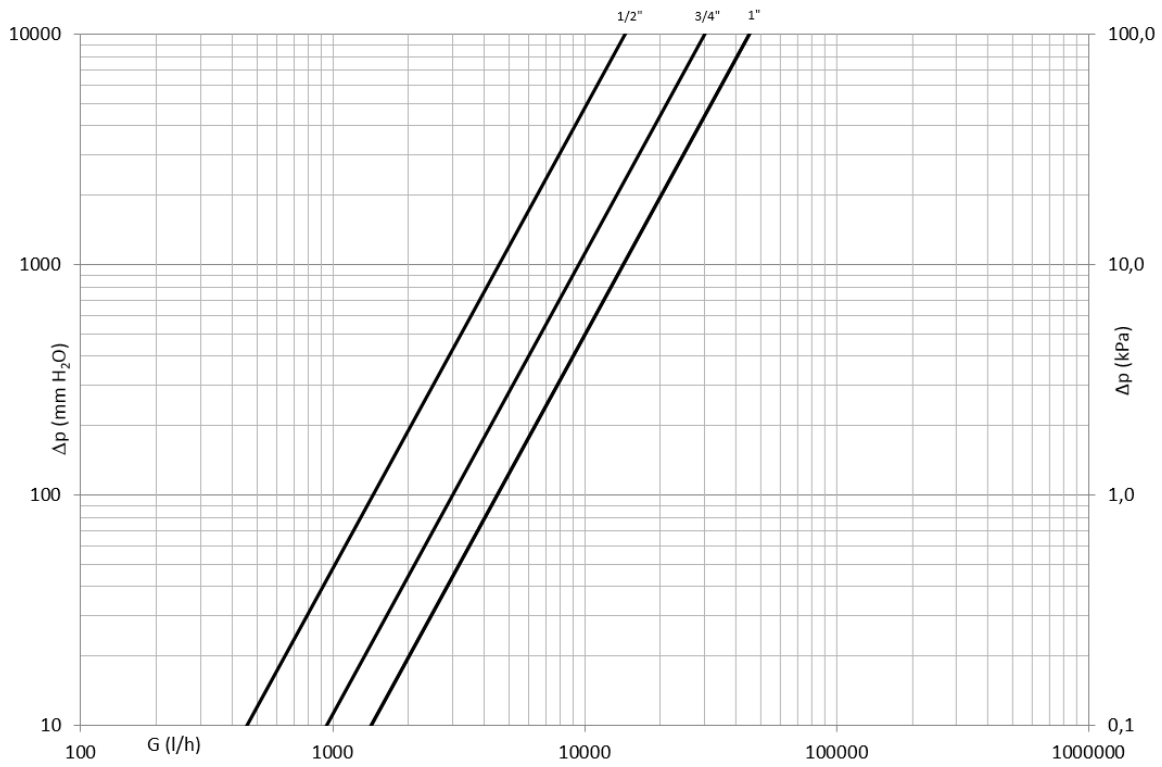
Dimensions in mm

All threads are conform to ISO 228 standard

MATERIALS

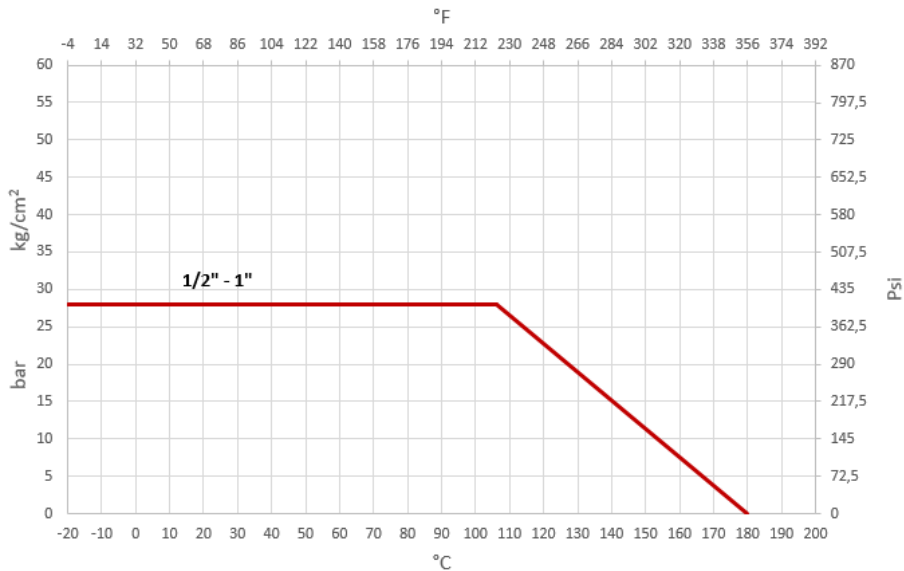
- Body** CW617N (EN 12165) CuZn40Pb2
- Ball** CW617N (EN 12165) CuZn40Pb2 Chrome plated
- Stem** CW614N (EN 12164) CuZn39Pb3
- Stuffing box** CW614N (EN 12164) CuZn39Pb3 Adjustable
- Drain-off** CW617N (EN 12165) CuZn40Pb2
- Cap** CW614N (EN 12164) CuZn39Pb3
- Seat** 2 x PTFE + 1 x PTFE seal on the stem
- O-Rings** 2 x FKM
- Cap and drain-off seal** 2 x fiber
- Handle** Painted aluminum

PRESSURE DROP DIAGRAM



Dim.	1/2"	3/4"	1"
Kv	14.5	30	45
PN	28	28	28

TEMPERATURE / PRESSURE DIAGRAM



RECOMMENDED WORKING TEMPERATURE/PRESSURE LIMITS

30 bar – 100°C – non shock
 10 bar – 150°C – non shock

APPROVALS



079

